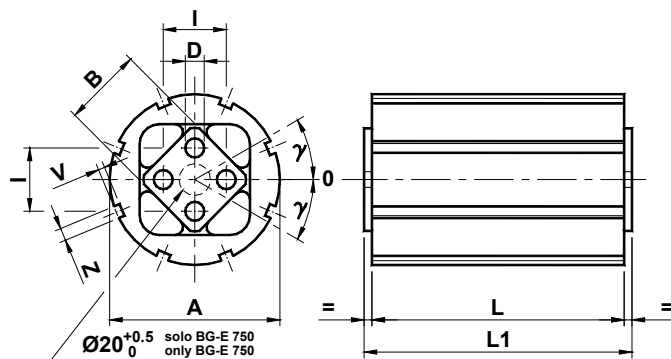


Elementi elastici BG-E / BG-E Elastic elements



Tipo Type	Cod. n°	A	B	D	^{+0.5} / _{-0.0}	I	V	Z	L	L1 ^{+0.0} / _{-0.3}	Carico di Torsione M _t in Nm con γ						Peso Weight [kg]	
											Torque M _t in Nm at γ							
												5°	10°	15°	20°	25°	30°	
BG-E 215 x 25	CE071665	36 ^{+0.3} / _{+0.0}	15	5		10 ±0.2	2.5	5	25	30		0.7	1.6	2.5	3.8	5.4	7.8	0.05
BG-E 215 x 40	CE071666	36 ^{+0.3} / _{+0.0}	15	5		10 ±0.2	2.5	5	40	45		1.1	2.5	4.0	6.1	8.7	12.5	0.09
BG-E 215 x 60	CE071667	36 ^{+0.3} / _{+0.0}	15	5		10 ±0.2	2.5	5	60	65		1.6	3.8	6.0	9.2	13.0	18.8	0.12
BG-E 318 x 30	CE071670	45 ^{+0.4} / _{+0.0}	18	6		12 ±0.3	2.5	5	30	35		1.8	4.2	7.0	10.5	14.3	19.5	0.12
BG-E 318 x 50	CE071671	45 ^{+0.4} / _{+0.0}	18	6		12 ±0.3	2.5	5	50	55		3.0	7.0	11.7	17.5	23.8	32.5	0.17
BG-E 318 x 80	CE071672	45 ^{+0.4} / _{+0.0}	18	6		12 ±0.3	2.5	5	80	85		4.8	11.2	18.9	28.0	38.2	52.0	0.31
BG-E 427 x 40	CE071675	62 ^{+0.5} / _{+0.0}	27	8		20 ±0.4	3.0	6	40	45		4.7	10.2	16.5	25.6	37.6	54.2	0.25
BG-E 427 x 60	CE071676	62 ^{+0.5} / _{+0.0}	27	8		20 ±0.4	3.0	6	60	65		6.8	15.3	24.8	38.4	56.4	81.3	0.37
BG-E 427 x 100	CE071677	62 ^{+0.5} / _{+0.0}	27	8		20 ±0.4	3.0	6	100	105		11.8	25.5	41.2	64.0	94.0	135.5	0.62
BG-E 538 x 60	CE071680	80 ^{+0.6} / _{+0.0}	38	10		25 ±0.4	3.5	7	60	70		12.4	29.0	48.2	74.0	107.5	153.5	0.67
BG-E 538 x 80	CE071681	80 ^{+0.6} / _{+0.0}	38	10		25 ±0.4	3.5	7	80	90		16.5	38.7	64.3	98.7	143.4	204.7	0.88
BG-E 538 x 120	CE071682	80 ^{+0.6} / _{+0.0}	38	10		25 ±0.4	3.5	7	120	130		24.7	58.0	96.4	148.0	215.0	307.0	1.31
BG-E 645 x 80	CE071685	95 ^{+0.8} / _{+0.0}	45	12		35 ±0.5	4.0	8	80	90		26.4	60.0	98.6	152.4	210.5	302.0	1.29
BG-E 645 x 100	CE071686	95 ^{+0.8} / _{+0.0}	45	12		35 ±0.5	4.0	8	100	110		33.0	75.0	123.2	190.5	263.1	377.5	1.54
BG-E 645 x 150	CE071687	95 ^{+0.8} / _{+0.0}	45	12		35 ±0.5	4.0	8	150	160		49.5	112.5	184.8	285.8	394.6	566.3	2.32
BG-E 750 x 120	CE071690	108 ^{+1.0} / _{+0.0}	50	M12x40		40 ±0.5	4.0	8	120	130		50.0	121.0	225.0	356.0	513.0	741.0	2.42
BG-E 750 x 200	CE071691	108 ^{+1.0} / _{+0.0}	50	M12x40		40 ±0.5	4.0	8	200	210		100.0	237.0	428.0	670.0	963.0	1378.0	4.11
BG-E 750 x 300	CE071692	108 ^{+1.0} / _{+0.0}	50	M12x40		40 ±0.5	4.0	8	300	310		147.0	350.0	630.0	990.0	1431.0	2052.0	6.32

Il corpo esterno e il profilo interno sono in alluminio verniciati. Per l'accoppiamento con il corpo interno vanno utilizzate delle viti passanti. Per il fissaggio del corpo esterno si consiglia la staffa tipo **ST** (pag.63).

Il vantaggio di questo tipo di elemento elastico è la possibilità di fissare il corpo esterno con l'inclinazione più opportuna rispetto alla staffa.

*The external body and the inner shape are made of aluminium. For the coupling with the inner body, You have to use through bolt. For the fixing of the external body we advise to use the **ST** clamp (pag.63).*

The advantage of this type of elastic element is the possibility to fix the external body with the better slope with respect to the support.

Esempio d'impiego con fissaggio per mezzo di mozzo elastico. Il perno centrale va utilizzato come attacco per organi meccanici con movimento di rotazione di ±30°.

Example of use with fitting by an elastic hub. The central pin has to be used as a connection for mechanical items with rotation movement ±30°.

